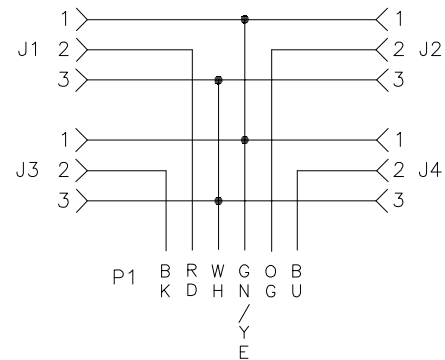
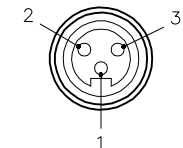


SPECIFICATIONS	
CABLE JACKET MATERIAL/COLOR	PVC/BLACK
NUMBER OF CONDUCTORS [AWG]	6x18 AWG
DRAIN/SHIELD	20 AWG DRAIN/ALUMINIZED FOIL SHIELD
CONDUCTOR INSULATION MATERIAL	PVC
HOUSING MATERIAL	ALUMINUM ALLOY
HOUSING FINISH/COLOR	EPOXY/BLACK
CONTACT CARRIER MATERIAL	TPU
CONTACT MATERIAL/PLATING	BRASS/GOLD
RATED VOLTAGE	250 VAC / 300 VDC
RATED CURRENT	4 A PER PORT, 9.0 A TOTAL
PROTECTION CLASS	MEETS NEMA 1,3,4,6P,12 AND IEC IP67, IP68,IP69,IP69K
TEMPERATURE RANGE	-40°C to 90°C (-40°F to 194°F)



FEMALE END VIEW (J1-J4)



1 = GROUND
2 = LOAD (L2)
3 = COMMON (L1)



FUNCTION	OUTPUT WIRE COLOR
COMMON (L1)	WHITE
GROUND	GREEN/YELLOW
J1(L2)	RED
J2(L2)	ORANGE
J3(L2)	BLACK
J4(L2)	BLUE

CABLE LENGTH	TOLERANCE*
ALL LENGTHS	+ 4% (OR 50mm) OF LENGTH - 0% (OR 0mm) OF LENGTH WHICHEVER IS GREATER
STRIP LENGTH	TOLERANCE*
0-7mm	±0.5mm
8-29mm	±1.0mm
30-49mm	±2.0mm
50-69mm	±3.0mm
70-100mm	±4.0mm
OVER 100mm	±5.0mm

* UNLESS OTHERWISE SPECIFIED

* METERS
SEE NOTE 1

SOURCE DRAWING - FOR REFERENCE ONLY

NOTES:

- "*" DESIGNATES CABLE LENGTH IN METERS. CONTACT TURCK TO ORDER SPECIFIC LENGTHS.
- BOX HEIGHT IS 1.36 [34.5] NOMINAL.
- CLEARANCE HOLE FOR 1/4-20 MOUNTING SCREWS (NOT INCLUDED).

RELATED DOCUMENTS	3RD ANGLE PROJECTION	THIS DRAWING IS CONFIDENTIAL AND THE PROPERTY OF TURCK INC. USE OF THIS DOCUMENT WITHOUT WRITTEN PERMISSION IS PROHIBITED.	3000 CAMPUS DRIVE MINNEAPOLIS, MN 55441 1-800-544-7769 (763) 553-7300 (763) 553-0708 fax www.turck.us	
1.		DRFT RJP	DATE 6/21/95	DESCRIPTION 4 RKF 30-*M
2.		APVD	SCALE 1=1.5	
3.	ALL DIMENSIONS DISPLAYED ON THIS DRAWING ARE FOR REFERENCE ONLY	UNIT OF MEASUREMENT MILLIMETER [INCH]		IDENTIFICATION NO.
4.		CONTACT TURCK FOR MORE INFORMATION		REV J
MATERIAL	SEE SPECIFICATIONS	DO NOT SCALE THIS DRAWING		FILE: 777001294
FINISH	SEE SPECIFICATIONS			SHEET 1 OF 1

J	UPDATE DIMENSION & SPECS	NF	09/03/21	77014
REV	DESCRIPTION	BY	DATE	ECO NO.